

Instructions of preparing abstract or full paper for ICCM

†Guirong Liu¹, *Nguyen Thoi Trung^{2,3}, and Ming Li⁴

¹Department of Aerospace Engineering and Engineering Mechanics, University of Cincinnati, USA.

²Department of Mechanics, University of Science, HCMC, Vietnam

³Division of Computational Mechanics, Ton Duc Thang University, Vietnam.

⁴College of Mathematics, Taiyuan University of Technology, China

*Presenting author: nguyetnmail@gmail.com

†Corresponding author: liugr100@gmail.com

Abstract

This document does not have any scientific significance. It describes purely the format instructions for abstract (within 1 page), extended-abstract (2-3 pages) and full-paper (4-20 pages) for ICCM. Note that we will produce one Presentation (including all abstracts and papers) online and a Full-Paper Proceedings. Only the full paper proceeding will be submitted to SCI/EI to apply for indexing, which is based on the SCI/EI regulations. We do not guarantee that the paper proceedings will be indexed by SCI/EI. We will definitely apply for them.

It is our intension to be flexible in format, yet maintain a reasonable consistency in the proceedings. The unified template for abstract/paper in both WinWord and PDF format is available at our website. It is the author's choice to submit either an abstract (or extended-abstract) or a full-paper, using this same template. In all cases, please provide approximately 4-6 keywords that best reflect the scientific/technical contents, for easy indexing when readers are trying to search for abstracts or papers. The editor(s) of the proceeding have the right not to include the accepted abstractors or full-papers into the proceedings, if the format does not meet the standard format given by the templates.

When choosing to just write an abstract, you may ignore all the other sections starting from the "Introduction" section. When choosing to write an extended abstract, you may include whatever the other sections at your own discretion. The maximum page number for a paper can be as many as 20, and the maximum size of your pdf file can be as much as 2MB. The loosing rule on these maximum limits is not-to-give you too much pressure purely for the sack of the volume limitation. At the sometime, it is not out-of-control. Note that a concise paper has been proven most effective to the authors and readers, and it is much more efficient when it is stored and transmitted in real-time over the internet. We trust and rely on your professionalism to keep the paper as concise as possible. If you have big images, it is advisable to reduce the resolution to a manageable level. In addition, if you just want to submit a short abstract (less than 3000 characters in total) and it contains only pure text, you can submit your abstract as part of the META data input (via copy & paste) when you creating your account. In this case, you can use free format and do not have to upload any pdf files. It will be treated as normal abstract, peer-reviewed, edited and published online.

Keywords: Computation, structured grids, boundary region

Introduction

The abstracts and papers will all be peer-reviewed and be published in the online Presentations. And 4 page and above submissions will be included into a Full Paper Proceedings with ISSN 2347-3948. The selected papers will be recommended for publication in a special issue in one of the conference official journals. Authors are encouraged to make the paper as concise as possible, considering readers may choose to print hardcopy of your paper. Author will be asked to reduce the length and size, if it is too extreme.

This document describes the required format for extended abstracts and full papers. Your manuscripts should be submitted online before the deadline. Please create an account at the conference website <http://www.sci-en-tech.com/ICCM/>, before submitting your manuscript. Please keep a record on your account ID and password for your future use to update your submitted data and manuscripts.

Format Requirements

The template for abstract and full paper in WinWord format is provided at the conference web site mentioned earlier. You may simply download it and use it as a template to produce your paper. Please follow the general instructions as given below.

General Format Requirements

The general format requirements are as follows:

1. *Paper* (A4 size paper): the full paper should have word limit of 20,000.
2. *Margins*: 2.5 cm top, bottom and both sides
3. *Header and footer*: Leave blank
4. *Title*: **14 pt bold Times New Roman, centered.**
5. *Authors Affiliation*: Name: 12 pt bold Times New Roman; address: 10 pt Times New Roman
6. *Section Headings*: 12 pt bold Times New Roman.
7. *Section Subheadings*: 12 pt italic Times New Roman
8. *Body text*: 12 pt Times or Times New Roman, single spacing, justified on both margins, one blank line between paragraphs, no indentation for beginning of a paragraph
9. *Figures*: Insert in text where appropriate, with 12 pt Times New Roman caption centered below the figure as shown in the example below.
10. *Tables*: As with Figures, but with caption centered above the table.
11. *Equations*: Centered, with equation number at the right
12. *Units*: SI units are preferred
13. *References*: 10 pt times.

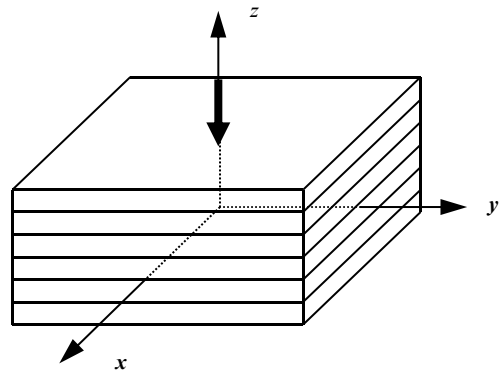
Authors are responsible for obtaining permission for reprinting any material included in their papers that is already copyrighted elsewhere.

$$F = ma \tag{1}$$

An example of an equation is shown in Eq. (1) above. Figure and table examples are given in Fig. 1 and Table 1 below.

Table 1. Identified results

Actual Value	Results for different noise levels	
	free	2%
0.973	0.967(-0.6%)	0.974(0.1%)
0.875	0.860(-1.7%)	0.866(-1.0%)
0.657	0.656(-0.01%)	0.671(2.1%)
0.488	0.488(0%)	0.502(2.9%)
0.271	0.276(2.0%)	0.259(-4.3%)

**Figure 1. A plate not for meal**

Conclusions

References should be numbered and appear at the end of the paper. The citations to them in the text must identify them by authors' names and year of publication. References should be cited in text in square brackets by numbering [1]. If a citation cites two or more papers, they should be cited as [2]-[8] or [3][5][10].

If you have any questions concerning these format instructions, please contact ICCM Manager Ms. Joanne Wang by e-mail at iccmdesk@gmail.com.

References

- [1] Li, Y., Liu, G. R., Luan, M. T., Dai, K. Y., Zhong, Z. H., Li, G. Y. and Han, X. (2007) Contact analysis for solids based on linearly conforming radial point interpolation method, *Computational Mechanics* **39**, 537–554.
- [2] Liu, G. R. and Gu, Y. T. (2001) A point interpolation method for two-dimensional solids, *International Journal for Numerical Methods in Engineering* **50**, 937–951.
- [3] Liu, G. R. (2009) *Meshfree Methods: Moving Beyond the Finite Element Method*, 2nd edn, CRC Press, Boca Raton, USA.
- [4] Liu, G. R. and Liu, M. B. (2003) *Smoothed Particle Hydrodynamics — A Meshfree Particle Method*, Chapter 6, World Scientific, Singapore.
- [5] Liu, G. R., *Wave propagation in an inhomogeneous anisotropic plate and its impact responses*, PhD Thesis, Tohoku University, Japan, 1991.
- [6] Liu, G.R. Chen Meng, and Li, M., Lower Bound of Eigenvalue Solution Using the NS-FEM, *Proceedings of 6th International Conference on Computational Methods*, Auckland, New Zealand, 2015, G.R. Liu and Raj Das, Eds, Paper 1353, ScienTech Publisher. <http://www.sci-en-tech.com/ICCM2015/Paper%20Proceedings%20for%20download.pdf>.
- [7] Liu, G. R. and Gu, Y. T., A matrix triangularization algorithm for point interpolation method, *Proceedings of the Asia-Pacific Vibration Conference*, Bangchun, W., Ed., Hangzhou, China, 2001, 1151–1154.
- [8] Liu, G. R., Dai, K. Y. and Nguyen, T. T. (2007) A smoothed finite element method for mechanics problems, *Computational Mechanics* **39**, 859–877.
- [9] Liu, G. R., Nguyen, T. T., Dai, K. Y. and Lam, K. Y. (2007a) Theoretical aspects of the smoothed finite element method (SFEM), *International Journal for Numerical Methods in Engineering* **71**, 902–930.
- [10] Liu, G. R., Nguyen, T. T., Nguyen, X. H. and Lam, K. Y. (2007b) A node-based smoothed finite element method (N-SFEM) for upper bound solutions to solid mechanics problems, *Computers and Structures* (submitted).